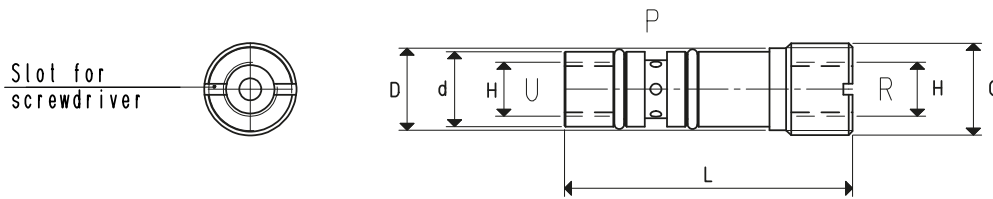


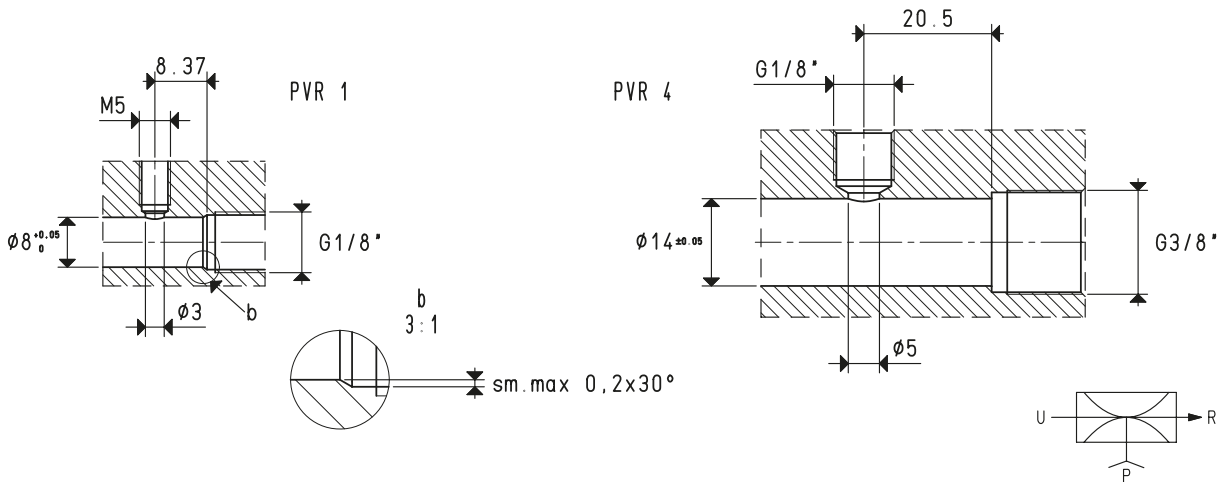
CARTRIDGE VACUUM GENERATORS PVR 1-4



- Can be directly integrated on suction gripping parts of the packaging machines
- Maximum output at low operating pressures (2 - 3 bar)
- Maximum vacuum level: -70 KPa
- Capacity of 1 o 4 cum/h
- Their shape enables the suction of dust or small processing residues, without clogging



CONSTRUCTION SLOTS FOR INCLUSION CARTRIDGES



P=COMPRESSED AIR CONNECTION R=EXHAUST U=VACUUM CONNECTION

Art.		PVR 1			PVR 4	
Quantity of sucked air	cum/h	0.6	0.8	0.9	2.7	3.3
Max. vacuum level	-KPa	19	41	60	30	72
Final pressure	mbar ass.	810	590	400	700	280
Supply pressure	bar	1	2	3	1	2.5
Air consumption	NI/s	0.3	0.5	0.6	1.7	2.9
Working temperature	°C			-10 / +80		-10 / +80
Noise level	dBA			68		80
Weight	g			4		16
d	∅			7.8		13.5
D	∅			8.7		14.8
L				26		52
G	∅			G1/8"		G3/8"
H	∅			M5		G1/8"

Note: All the vacuum data indicated in the table are valid at the normal atmospheric pressure of 1013 mbar and are obtained with a constant supply pressure.

Conversion ratio: inch = $\frac{\text{mm}}{25.4}$; pounds = $\frac{\text{g}}{453.6}$ = $\frac{\text{Kg}}{0.4536}$

GAS-NPT thread adapters available at page 1.117